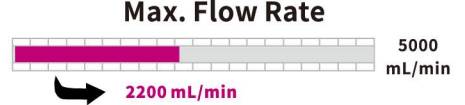
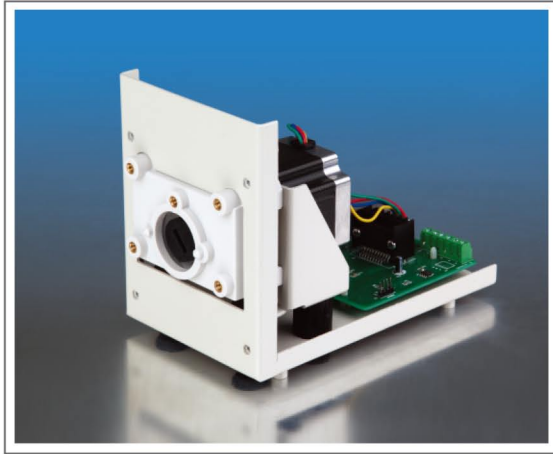


# OEM Variable Speed Peristaltic Pump



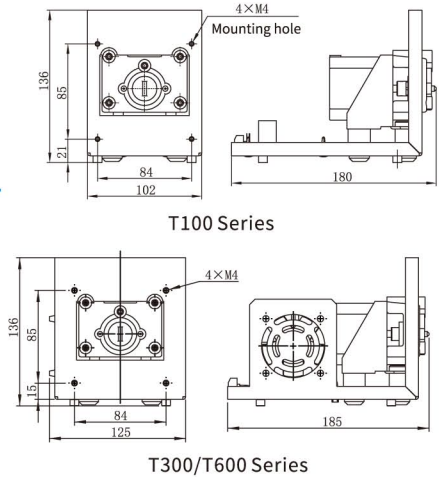
## T100/T300/T600 Series



Good EMC performance.  
Multi-control modes.  
Standard pump head mounting bracket can be fitted with several different pump head.  
Low vibration, low noise.  
Soleplate or panel installation.



### Installation Drawing



OEM PERISTALTIC PUMP

### Pump Specification

Item	T100 Series	T300 Series	T600 Series
Speed	0-100rpm	0-300rpm	0-600rpm
Speed resolution	0.1rpm	1rpm	1rpm
*Direction control	Direction is controlled by external switch signal. CW when switch is open, CCW when switch is closed		
*Start/stop control	Start/stop is controlled by external switch signal. Pump runs when switch is open, stops when switch is closed		
*BCD dial switch speed control	The speed is divided into 15 grades. BCD position 1-F corresponding to 5, 10, 15, 20, 25, 30, 35, 40, 45, 50, 60, 70, 80, 90, 100(rpm)	The speed is divided into 15 grades. BCD position 1-F corresponding to 5, 10, 20, 40, 60, 80, 100, 125, 150, 175, 200, 225, 250, 275, 300(rpm)	The speed is divided into 30 grades: 5, 10, 20, 40, 60, 80, 100, 125, 150, 175, 200, 225, 250, 275, 300, 320, 340, 360, 380, 400, 420, 440, 460, 480, 500, 520, 540, 560, 580, 600 (rpm)
*External speed control signal (optional)	4-20mA, 0-5V, 0-10V, 0-10kHz		
**Communication control	RS485 interface, compatible both with Longer OEM protocol and Modbus protocol		
**Communication Pump ID	Pump ID range is 1-30		
**Bit rate	1200bps or 9600bps		
**Power-off memory	Return to previous status when powered on		
Dimension(Lx Wx H)	180 x 102 x 136 (mm)	185 x 125 x 136 (mm)	
Relative humidity	<80%		
Operating temperature	0°C~40°C		
Power supply	DC24V/50W	DC24V/50W	DC24V/80W
Weight	1.43kg	1.63kg	

Note: Items with \* are only available for products with dial switch and external speed control signal. Items with \*\* are only available for product with RS485 communication control.

### Product Model

T100 Series Product Model	T300 Series Product Model	T600 Series Product Model	Control Mode
T100-SV-10	T300-SV-10	T600-SV-10	Dial switch and external signal (0-10V)
T100-SA	T300-SA	T600-SA	Dial switch and external signal (4-20mA)
T100-SF	T300-SF	T600-SF	Dial switch and external signal (0-10kHz)
T100-SC	T300-SC	T600-SC	RS485 communication
T100-SV-05	T300-SV-05	T600-SV-05	Dial switch and external signal (0-5V)

Pump Head	Tubing	Max. Flow Rate Reference(mL/min)		
		T100 Series	T300 Series	T600 Series
YZ1515x, YZ II 15	13" 14" 19" 16" 25" 17" 18"	380	1140	2200
YZ2515x, YZ II 25	15" 24"	270	840	1600
FG15-13	13" 14" 19" 16" 25" 17" 18"	430	1200	2400
FG25-13	15" 24"	320	1100	2200
DMD15-13-B, DMD15-13-D	2×13" 2×14" 2×19" 2×16" 2×25"	375	1040	2070
BZ15-13-A	14"	22	80	150
BZ15-13-B	16"	80	240	460
BZ15-13-C	25"	150	470	960
BZ15-13-D	17"	270	800	1600
BZ25-13-B	24"	250	800	1600
DG15-24	16" 25" 17"	300 (Single Channel)	900 (Single Channel)	1800 (Single Channel)
DG15-28	13", 14", ID≤3.17(mm), Wall thickness:0.8-1(mm)	75 (Single Channel, speed≤100rpm)		
DG-1(6), DG-2(6)	ID≤3.17(mm), Wall thickness:0.8-1(mm)	48 (Single Channel, speed≤100rpm)		
DG-1(10), DG-2(10)	ID≤3.17(mm), Wall thickness:0.8-1(mm)	32 (Single Channel, speed≤100rpm)		

\* CE certified product based on request \*