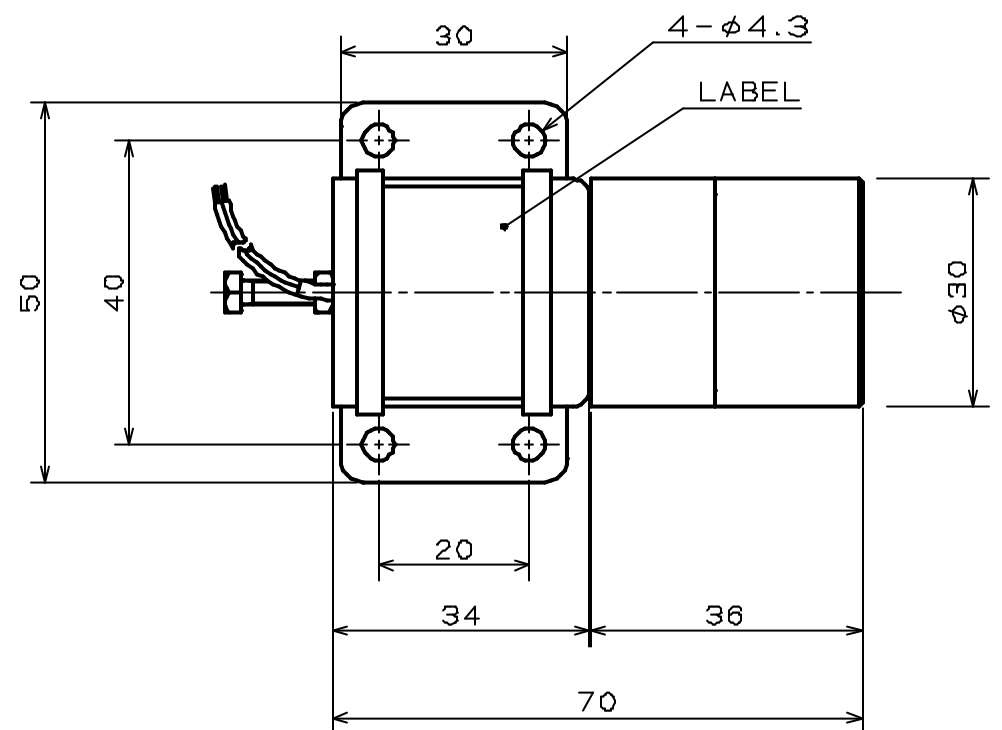


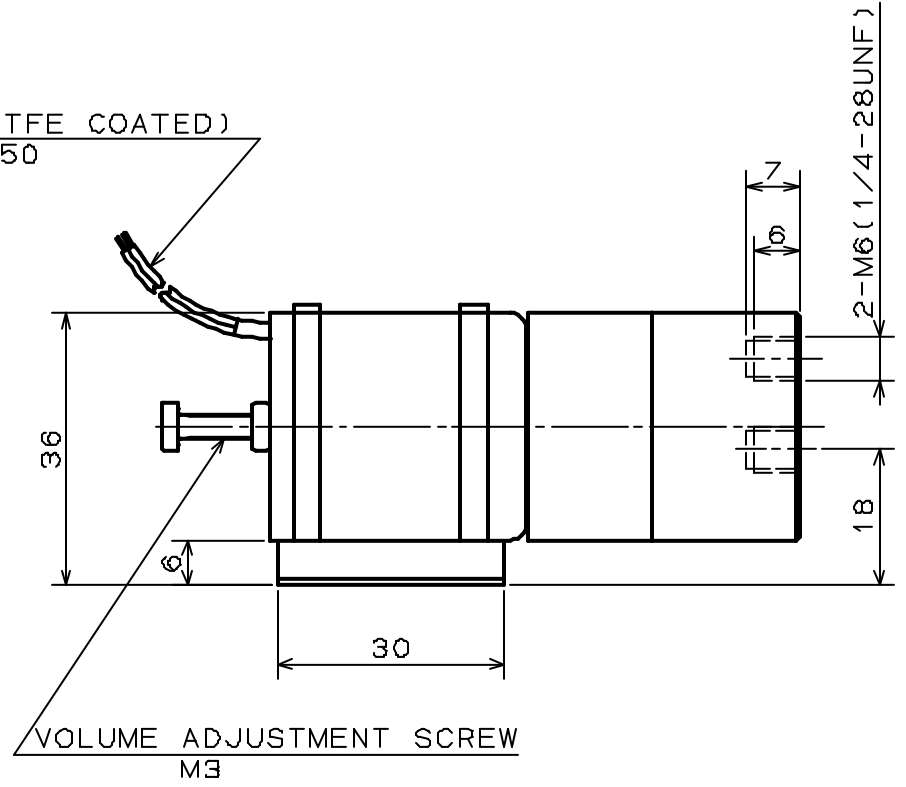
FOR REFERENCE ONLY

METERING PUMP

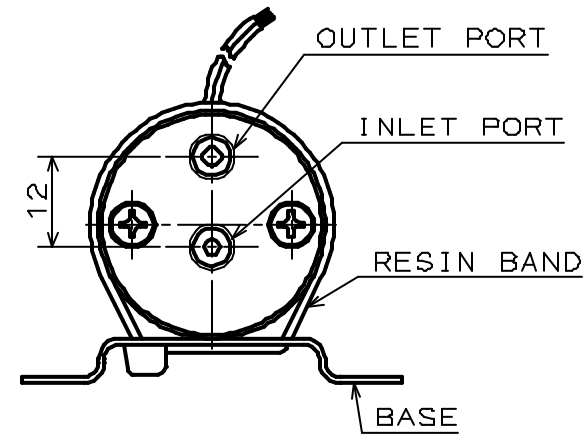
SPECIFICATIONS for MODEL MLP-200P



LEADS (ETFE COATED)
φ0.2×L350



VOLUME ADJUSTMENT SCREW
M3



- MODEL : MLP-200P
- MAXIMUM PUMPED VOLUME : 200 μ l (1 CYCLE)
- PUMPED VOLUME ADJUSTABLE RANGE : 10~200 μ l
- MAXIMUM OPERATING FREQUENCY : 2HZ
- REPEATED PUMPED VOLUME ACCURACY : \pm 1%
- PORT CONNECTION : M6, 1/4-28UNF
- FLUID MEDIA : FLUIDS CHEMICALLY COMPATIBLE WITH MATERIALS BELOW
- MEDIA TEMPERATURE : 10~40 $^{\circ}$ C
- AMBIENT TEMPERATURE : 10~40 $^{\circ}$ C
- RATED VOLTAGE : 12VDC, 24VDC
- POWER CONSUMPTION : 5.9W
- OPERATING DURATION : CONTINUOUS
- INSULATION CLASS : CLASS B
- INSULATION RESISTANCE : 50M Ω (USING 500VDC MEGGER)
- DIELECTRIC STRENGTH : 1500VAC For 60s
- FIXING STYLE : FIT ONLY HORIZONTALLY ALONG AXIS 'X-Y'

WETTED MATERIALS

PISTON	POM/PP	1	
DIAPHRAGM	FPM	1	
CYLINDER	POM/PP	1	
CHECK VALVE	FPM	2	
VALVE CASE	POM/PP	1	
PART NAME	MATERIAL	REQD.	NOTE

METERING PUMP
MLP-200P