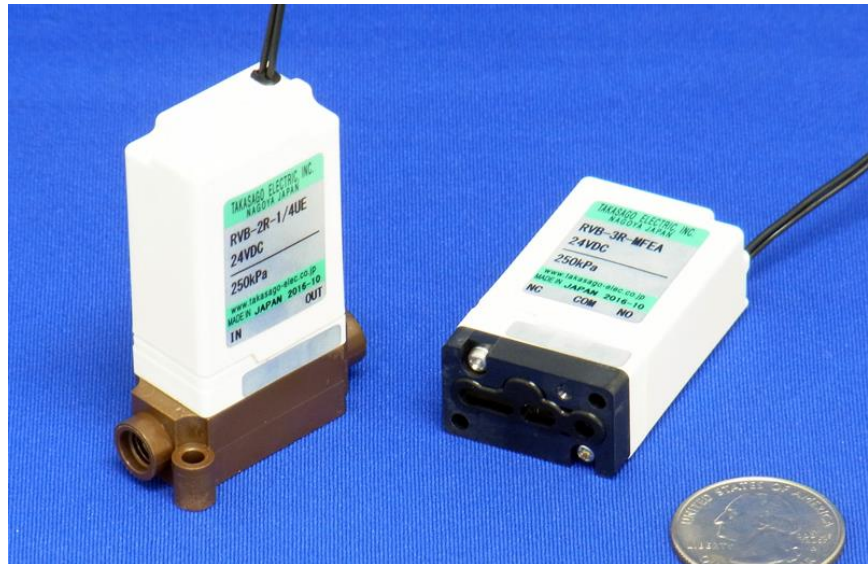


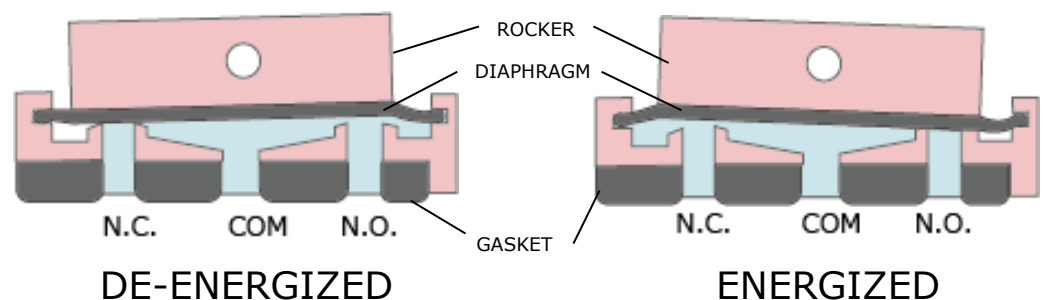
## ROCKER SOLENOID VALVE

## RVB Series



The RVB series is a miniature rocker-style isolation valve suitable for a wide range of manifolds for in vitro diagnostic, analytical and laboratory instruments. The rocker toggles in seesaw fashion, as shown below, and alternately seals the left and right valve seats. Our universal or bi-directional flow path simplifies the manifold designing processes.

## Cross-sectional Image of Rocker Structure (Gasket Type)



## Features

- Ultra-low displacement volume due to no volumetric change in the valve chambers during operation.
- COM., N.C. and N.O. ports carry a uniform operating pressure, applicable in all directions. High pressure models (500 kPa) are optionally available.
- Valve width of 16 mm (gasket type) enables efficient mounting of rocker valves on a manifold.
- The Takasago original mounting gasket footprint features minimized internal volume, and in addition, a universal gasket footprint option is also available.
- As 2-way valve options, type 21 features minimal carryover, using the NC and NO ports, while type 2 is designed for universal connection, using the COM and NO ports.

※Specifications, etc. are on the back side.

**TFS** (Takasago Fluidic Systems)

1900 West Park Drive, Suite 280, Westborough, MA 01581 U.S.A.

Tel: 508-983-1434 FAX: 508-983-1401

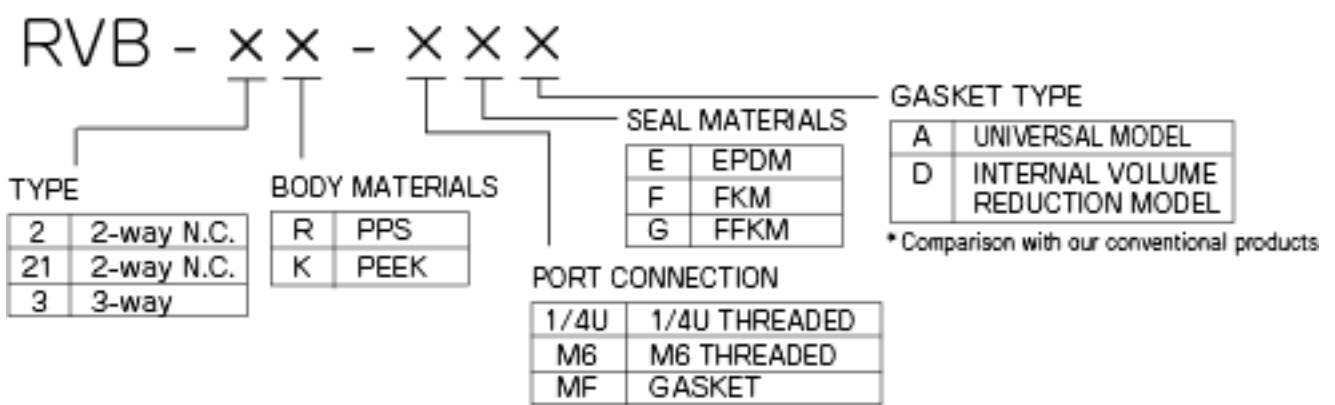
E-mail: [info@takasago-fluidics.com](mailto:info@takasago-fluidics.com) URL: <http://www.takasago-fluidics.com/>

# Specifications

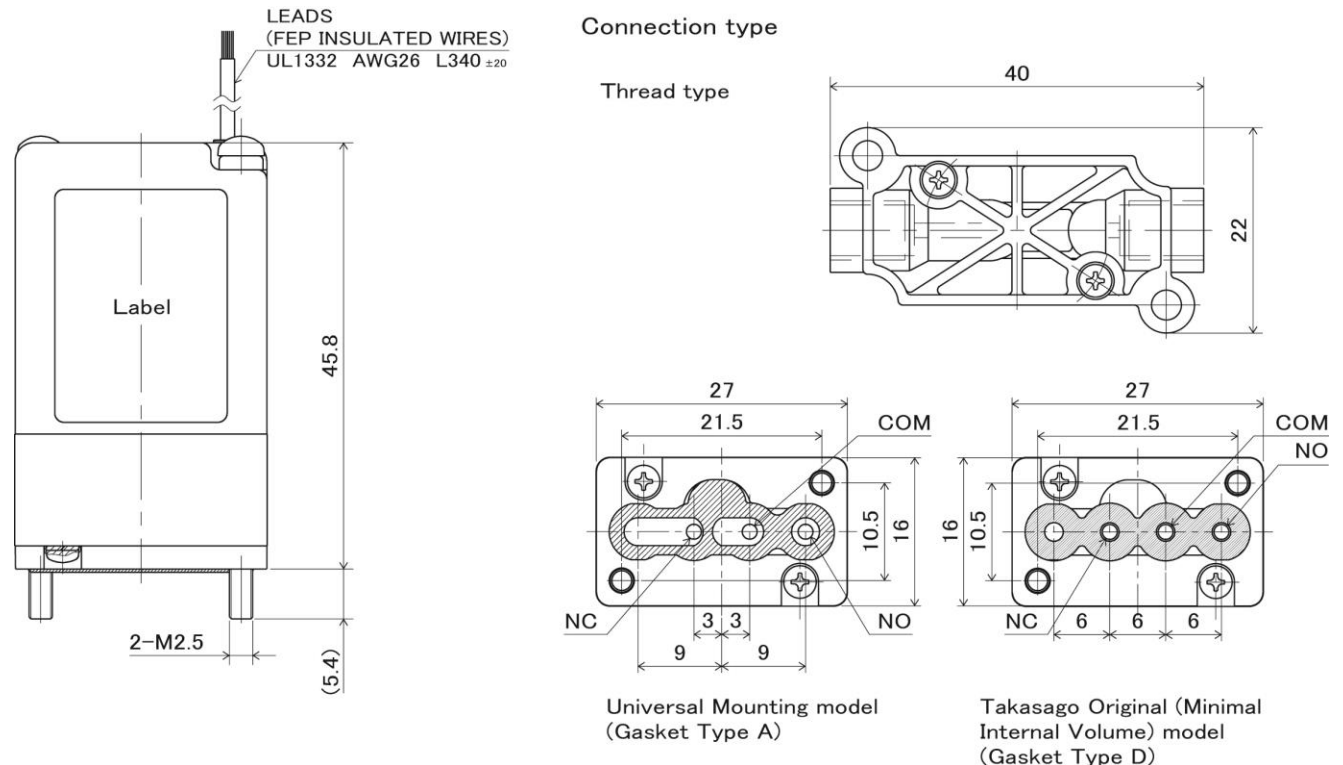
Orifice Diameter	1.6 mm
Operating Pressure Range	-90 ~ 250 kPa (High pressure model: ~ 500 kPa)
Port Connection	M6, 1/4-28UNF, Gasket
Media Temp. Range	5 ~ 50 °C *
Ambient Temp. Range	5 ~ 50 °C *
Rated Voltage	12 VDC, 24 VDC
Power Consumption	3.4 W
Wetted Materials	Valve Body : PEEK, PPS Diaphragm & Gasket : FFKM, FKM, EPDM
External Dimension	W 22 × L 40 × H 53.4 mm (Threaded), W 16 × L 27 × H 45.8 mm (Gasket)

\*Media Temp & Ambient Temp can be 0~55°C When using EPDM.

# Model Number



# Dimensions



Note: Details including specifications may change without notification.