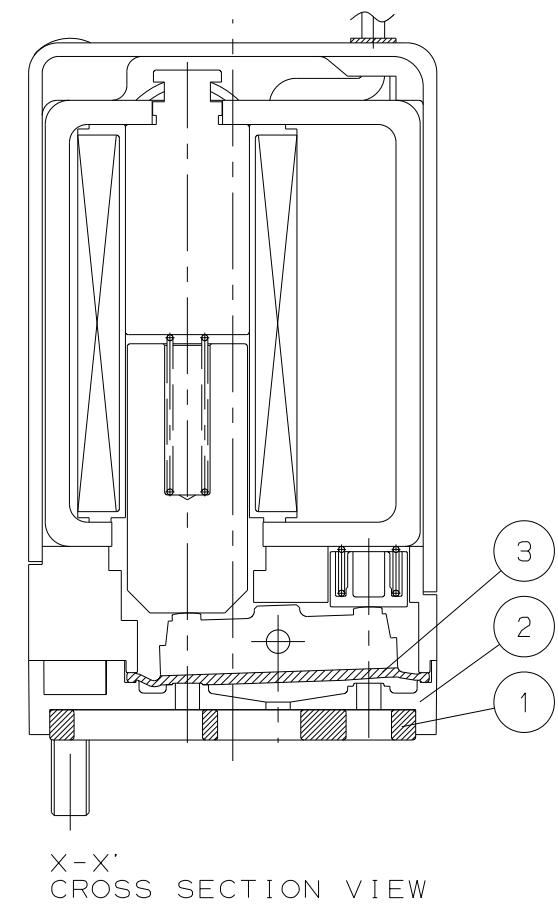
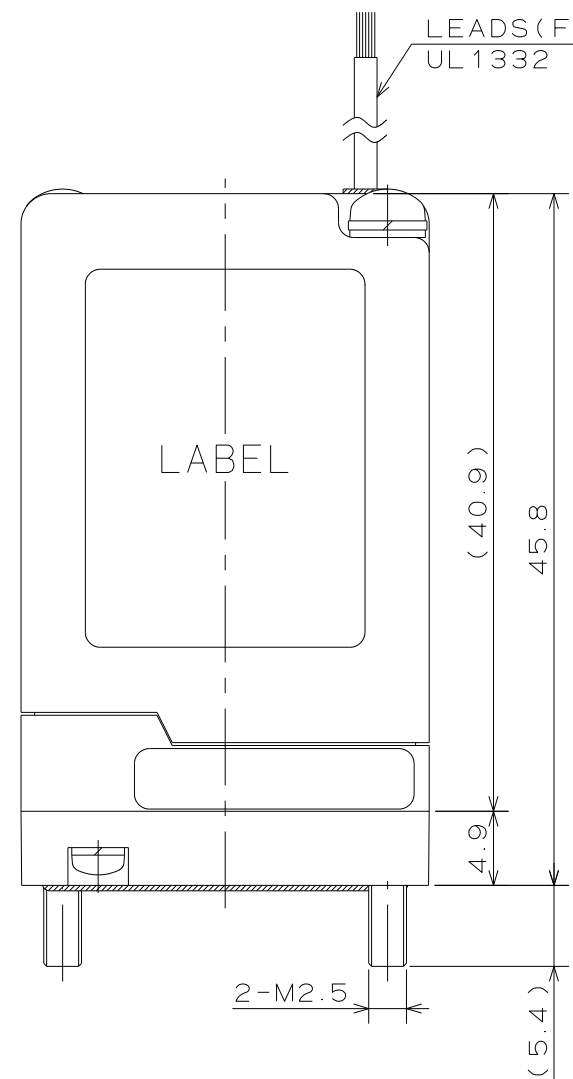
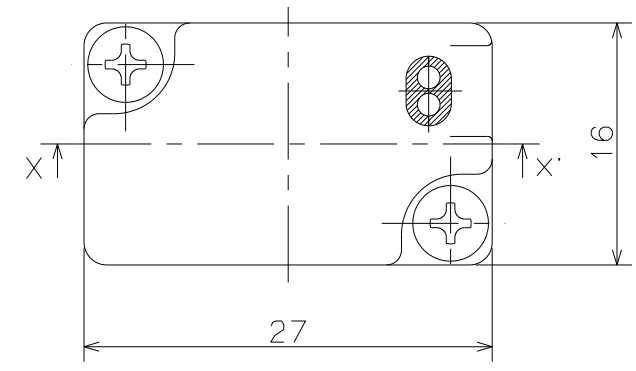


FOR REFERENCE ONLY

# SOLENOID VALVE

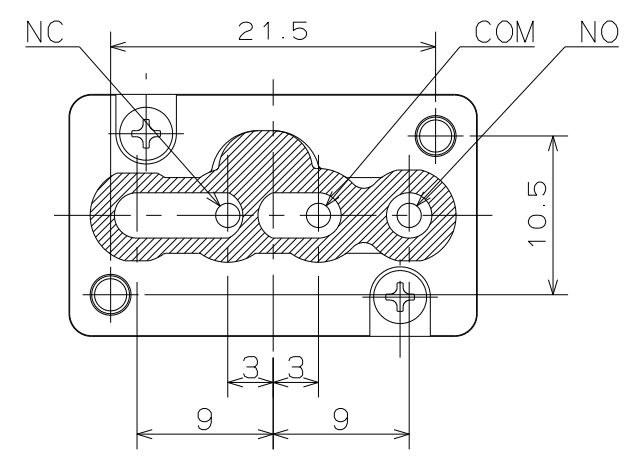
## SPECIFICATIONS for MODEL RVB-3X-MFXA

- ORIFICE DIAMETER : 1.6mm
- PORT CONNECTION : GASKET
- OPERATING PRESSURE RANGE : COM -90 ~ 250kPa  
(-675mmHg ~ 2.5bar)
- NC, NO -90 ~ 250kPa  
(-675mmHg ~ 2.5bar)
- FLUID MEDIA : FLUIDS CHEMICALLY COMPATIBLE WITH MATERIALS BELOW
- MEDIA TEMPERATURE RANGE : 5 ~ 50°C
- AMBIENT TEMPERATURE RANGE : 5 ~ 50°C
- RATED VOLTAGE : 12VDC, 24VDC
- POWER CONSUMPTION : 3.4W
- DUTY CYCLE : CONTINUOUS
- COIL TEMPERATURE INCREASE : MAX. 75°C FROM ROOM TEMPERATURE
- INSULATION CLASS : CLASS B
- DIELECTRIC STRENGTH : 1000VAC FOR 60s
- NOTE : TIGHTENING TORQUE OF MOUNTING PART IS 0.25N·m



RVB-3X-MFXA

VALVE BODY MATERIAL		DIAPHRAGM GASKET MATERIAL	
K	PEEK	F	FKM
R	PPS	G	FFKM



### WETTED MATERIALS

△						
△			3	DIAPHRAGM	FKM/FFKM	1 IN CASE OF FFKM, DAI-EL PERFLUOR
△			2	VALVE BODY	PEEK/PPS	1
SYM.	DATE	DESCRIPTION	1	GASKET	FKM/FFKM	1
REVISION			PART NO	PART NAME	MATERIAL	REQD.
SCALE	APPROVED	CHECKED	DRAWN		DRAWING NO	
2/1		S. Kido	yy		SOLENOID VALVE	
A 3		y. Farahara	J. Yamada		RVB-3X-MFXA	
					17244-00-E	