

TUBE FITTINGS

Push-in Fitting

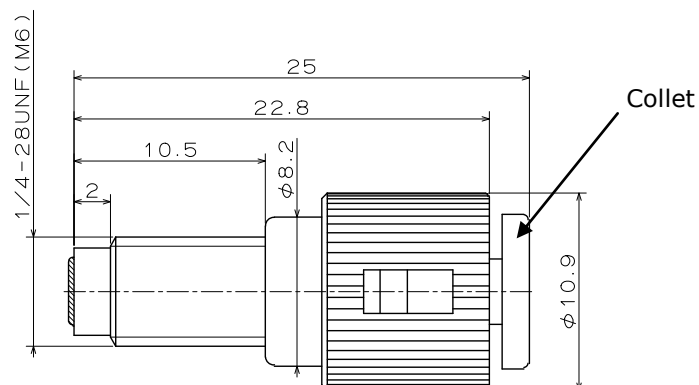


Quickly connect, quickly disconnect.

Features

- Just insert tubing to connect. To disconnect, simply pull out the tubing while pushing in the collet.
- Withstands up to 700 kPa pressure and 100 °C fluid temperature.
- Applicable to 2 mm O.D. PTFE/PFA tubing.
- The tubing can freely rotate even after insertion. This prevents troublesome kinking and twisting that can occur when you screw the other end of the tubing into another port.
- 1/4-28UNF and M6 threads available.
- Wetted materials are PPS and FKM.
- Valve products available with these Push-in Fittings built in.

Outer Dimensions



Use the QR code on the right or the link below to see a video.

http://www.takasago-fluidics.com/rd/mov_prod/1touch



Note: Details including specifications may change without notification.

TFS (Takasago Fluidic Systems)

1900 West Park Drive, Suite 280, Westborough, MA 01581 U.S.A.

Tel: 508-983-1434 FAX: 508-983-1401

E-mail: info@takasago-fluidics.com URL: <http://www.takasago-fluidics.com/>